

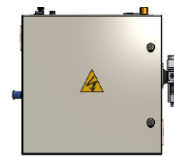
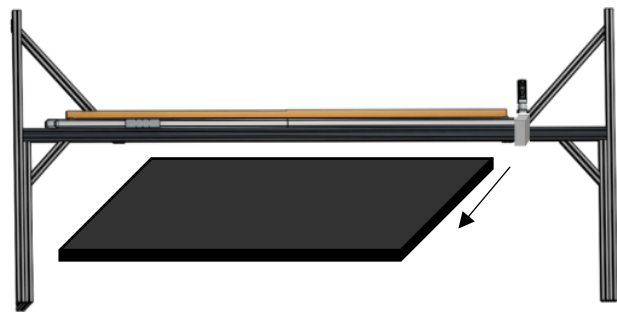
MOVING LINE FIXTURE OF XXmm WIDTH WITH TRANSVERSAL MOVING AXIS

INT02- MLXX-MA1

This moving line fixture can be used for measuring parts moving horizontally with a certain speed on a line.

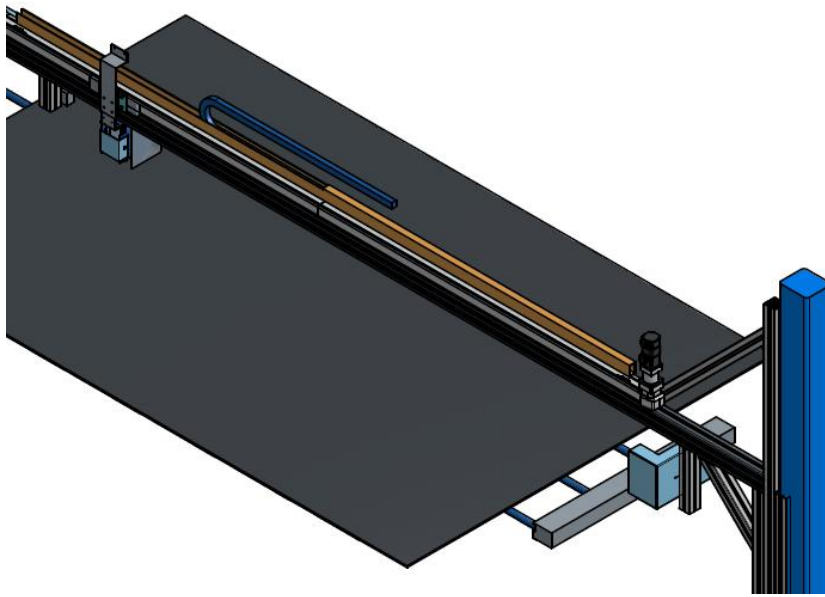
This allows to measure regular points along the produced parts allowing a 100% following of the production situation. The axis allows to measure at different widths of the part

- Complete automated design
- Special harsh environment protection of the measuring head and the command box
- Regular automated calibration check in position zero in the head protection box
- Dust-isolated and temperature regulated electrical cabinet for the command box and axis controller
- Simple IHM and display of the measurements
- Simple save of the measurements (with reference name of the part or of the lot entered by the operator)
- Simple output of the measurement (csv, txt formats or other industrial communication protocols)



Dimensions	L200 x wxx x h1000
Power input	100 - 240 Vac 50 - 60 Hz 4.5 - 2.5 A
Operating temperature	<45°C

ARCHITECTURE



The moving line integration contains a profile structure, a protection for the measuring head, an automated axis for the movement of the head, a recalibration and protection box and an electrical cabinet.

The axis, the head and its protection are fixed on the structure. The recalibration and protection box is placed at position 0 of the axis. The

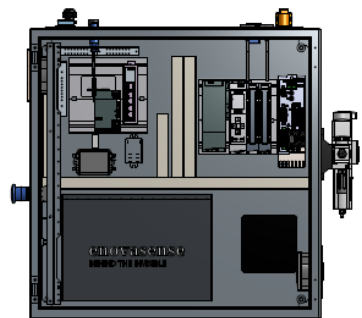
electrical cabinet is placed on a side of the line and is connected to the measuring head and communicates the data to the external system of the line.

WAY OF USE

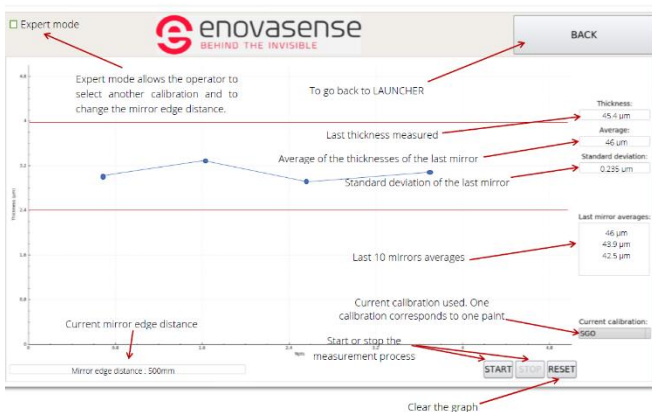
The axis fixed on the structure allows to scan the parts in 1 direction along the axis, perpendicularly to the moving of the line. A screen allows the operator to parameter measurement sequences and follow the results.

The recalibration and protection box is placed on position 0 of the line. Regularly, the measuring heads comes back to this box and is placed in front of a calibration sample to check the stability of the measurement. When the measuring head is unused, it comes back into this box where it is protected.

The electrical cabinet is protected against dust, humidity and harsh environment situations. It contains an internal air conditioner allowing to keep a stable temperature inside. It contains all controllers and electronical systems for the axis and the Enovasense command box.



EXAMPLE OF SYSTEM MODE



In this mode the software allows the operator to change the calibration and to launch a series of measurements.

It displays the last thickness value measured, the average and the standard deviation of the thickness values measured on the last part and the last parts averages.